

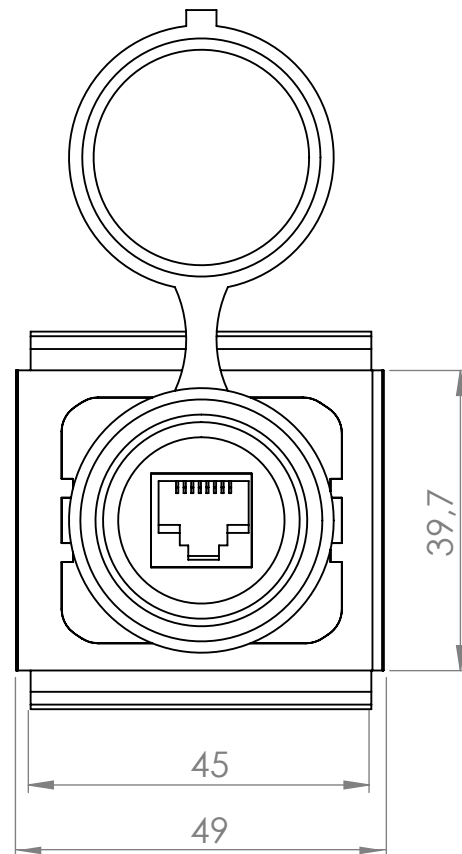
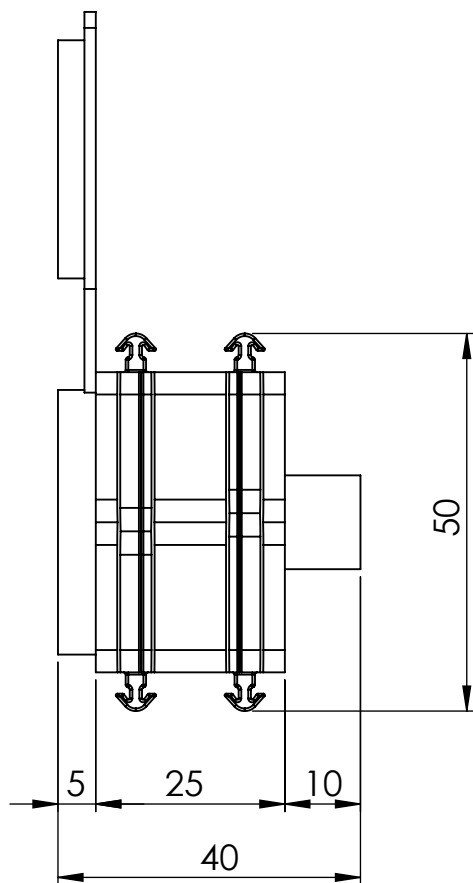
A

B

C

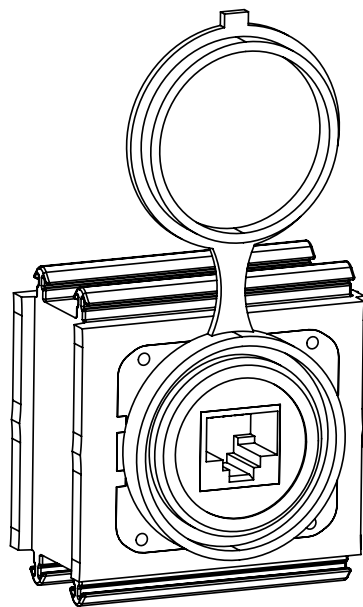
D

1



2

3



4

Flammability: UL94-V0, self-extinguishing
Temperature: -40°C ... +55°C
Properties: halogen-free, silicone-free
Material: thermoplastic elastomer TPE+PP+PF



IP65

NEMA
12, 4X

UL94-V0

RoHS
COMPLIANT

Codice / Code

see table

Descrizione / Description

SPG WF22-RJ45 Cat 6

Rev.
000

Materiale / Material

Colore / Color

Peso / Weight (g)

Unità di misura / Measure units

Formato / Format

Scala / Scale

Body: TPE
Internal part: PP+PF

Black

-

mm

A4

1:1



www.detasultra.com

Data / Date
03/10/2022Numero foglio / Sheet number
1/1Numero progetto / Project number
1731020930Disegn. / Drawn
Pozzi F.

Note / Notes

-

A

B

C

D